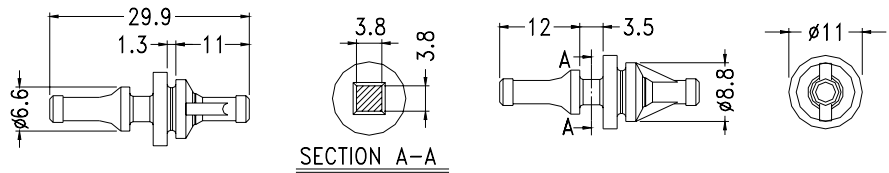


- ◆ MATERIAL:T.P.E
- ◆ COLOR:BLACK
- ◆ UNIT:mm

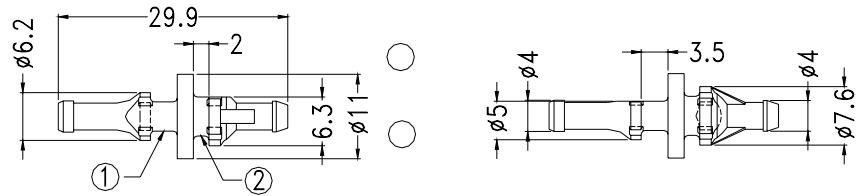
- ① FANS MOUNTING HOLE $\phi 4.3^{+0.2}_{-0.0}$ mm AND 3 TO 5.5mm THICKNESS.
- ② SUPPORT MOUNTING HOLE $\phi 5.0 \pm 0.1$ mm AND 1 TO 2mm THICKNESS.

PART NO	PACKAGE
BUB-30	1000



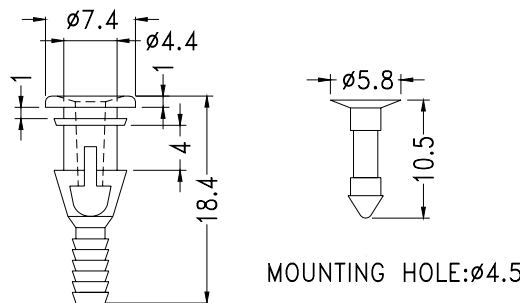
PART NO	PACKAGE
BUB-30L	1000

- ① FANS MOUNTING HOLE $\phi 4.6$ mm AND 3 TO 5.5mm THICKNESS.
- ② SUPPORT MOUNTING HOLE $\phi 6.5 \pm 0.1$ mm AND 1 TO 2mm THICKNESS.



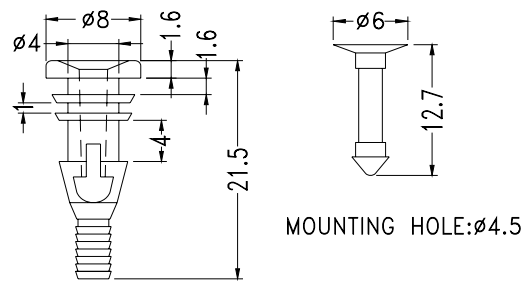
PART NO	PACKAGE
BUB-29	1000

- 1 FANS MOUNTING HOLE $\phi 4.3 \sim 4.5$ mm CHASSIS THICKNESS 3.5~4.0mm
- 2 SUPPORT MOUNTING HOLE $\phi 4.5 \sim 4.8$ mm CHASSIS THICKNESS 0.8~2.0mm



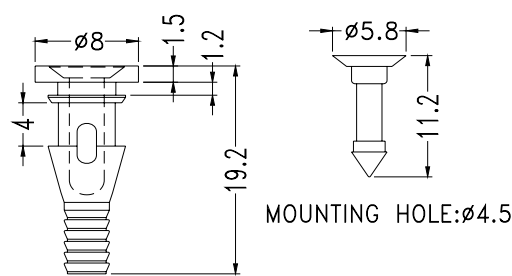
PART NO	PACKAGE
FSP-1	1000

MOUNTING HOLE: $\phi 4.5$



PART NO	PACKAGE
FSP-2	1000

MOUNTING HOLE: $\phi 4.5$

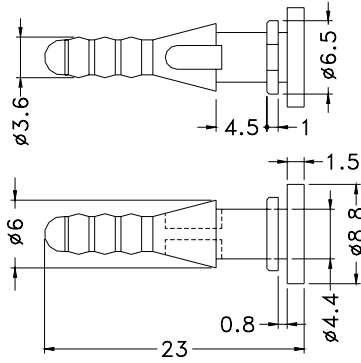


PART NO	PACKAGE
FSP-3	1000

MOUNTING HOLE: $\phi 4.5$

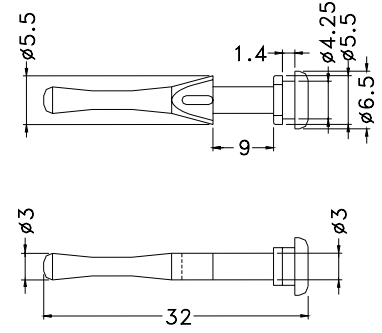


- ◆ MATERIAL:T.P.E
- ◆ COLOR:BLACK
- ◆ UNIT:mm



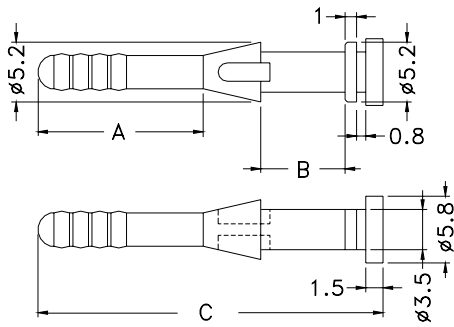
FANS MOUNTING HOLE $\phi 4.3$
CHASSIS MOUNTING HOLE $\phi 4.3$

PART NO	PACKAGE
BUB-23	1000



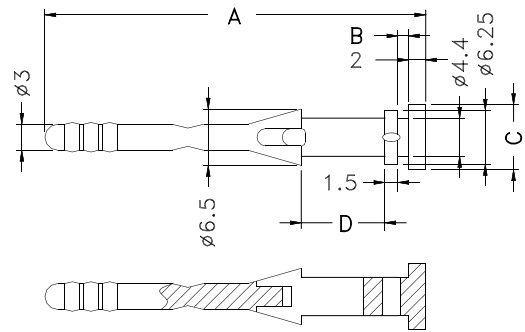
FANS MOUNTING HOLE $\phi 3$
CHASSIS MOUNTING HOLE $\phi 4.2$

PART NO	PACKAGE
BUB-32	1000



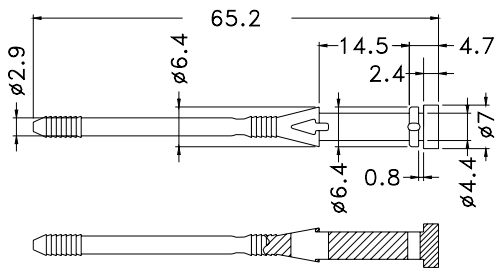
FANS MOUNTING HOLE $\phi 3.5$
CHASSIS MOUNTING HOLE $\phi 3.5$

PART NO	A	B	C	PACKAGE
BUB-20	7.7	4.0	20	1000
★BUB-70	34.5	27.0	70	500



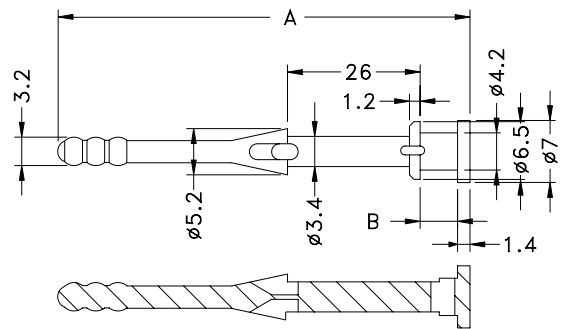
FANS MOUNTING HOLE $\phi 4.3$
CHASSIS MOUNTING HOLE $\phi 4.3$

PART NO	A	B	C	D	PACKAGE
BUB-35	35.0	1.2	7.5	3.0	1000
★BUB-81	81.1	2.0	7.0	28.0	500



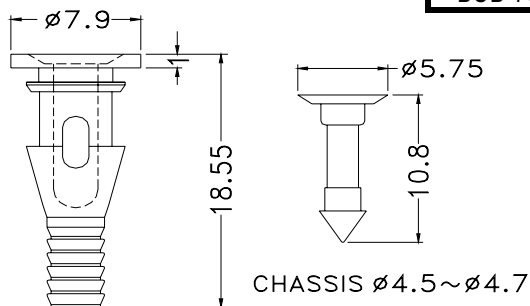
FANS MOUNTING HOLE $\phi 4.3$
CHASSIS MOUNTING HOLE $\phi 4.3$

PART NO	PACKAGE
BUB-65	500

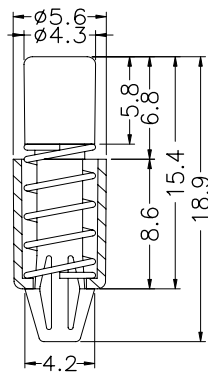
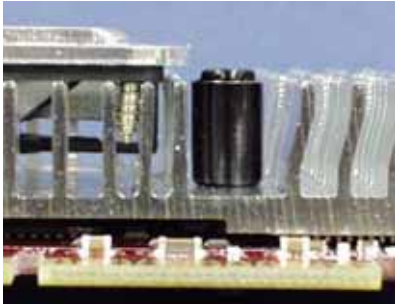


FANS MOUNTING HOLE $\phi 3.4$
CHASSIS MOUNTING HOLE $\phi 4.2$

PART NO	A	B	PACKAGE
BUB-73	73.0	0.8	500
BUB-76	75.1	2.9	



PART NO	PACKAGE
FSP-4	1000

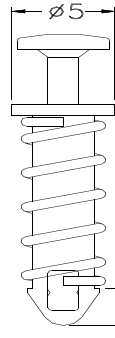
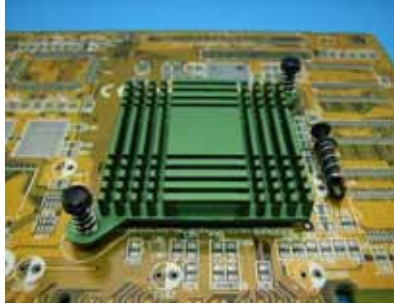
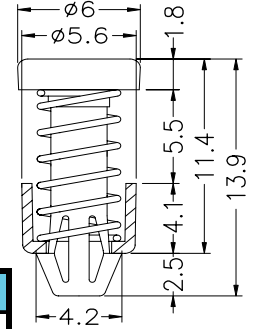


◆ MATERIAL: NYLON(UL)
 ◆ FLAME CLASS: 94V-2
 ◆ COLOR: BLACK
 ◆ UNIT: mm
 P.C.B. $\phi 3$
 THICKNESS 1.2~1.7

PART NO	PACKAGE
HSR-1	1000

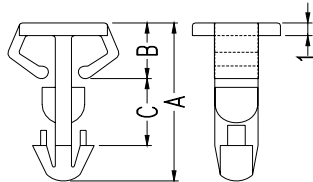
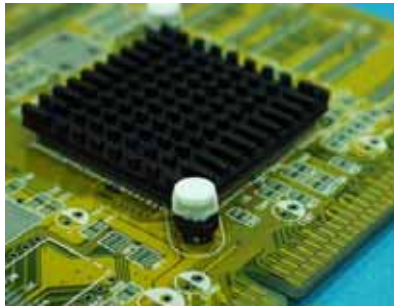
P.C.B. $\phi 3$
 THICKNESS 1.2~1.7

PART NO	PACKAGE
HSR-2	1000



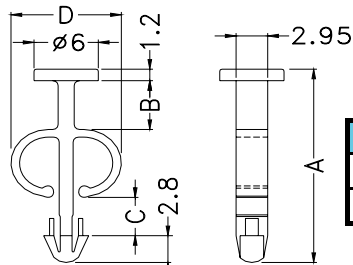
CHASSIS $\phi 3.0$

PART NO	PACKAGE
SRMK-11.5	1000



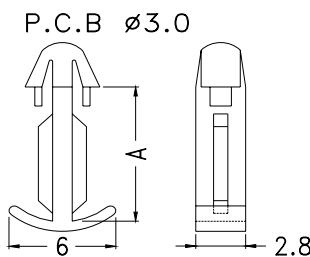
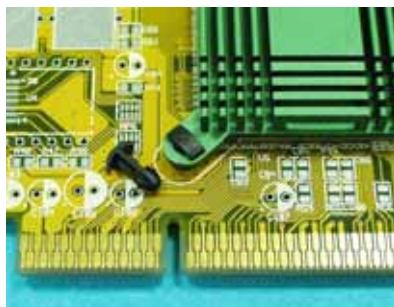
CHASSIS $\phi 3.0$

PART NO	A	B	C	PACKAGE
MCC-1	12.5	4.4	5.3	2000
MCC-2	12.7	5.3	4.7	
MCC-3	10.3	5.0	2.5	

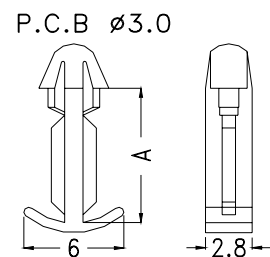


CHASSIS $\phi 3.0$

PART NO	A	B	C	D	PACKAGE
MEE-1	20.3	5.1	4.0	10.1	1000
MEE-2	17.0	2.5	3.4	10.3	



PART NO	A	PACKAGE
MBB-6	6.0	2000
MBB-7	7.0	
MBB-8	8.0	



PART NO	A	PACKAGE
MBB-6A	6.0	2000

